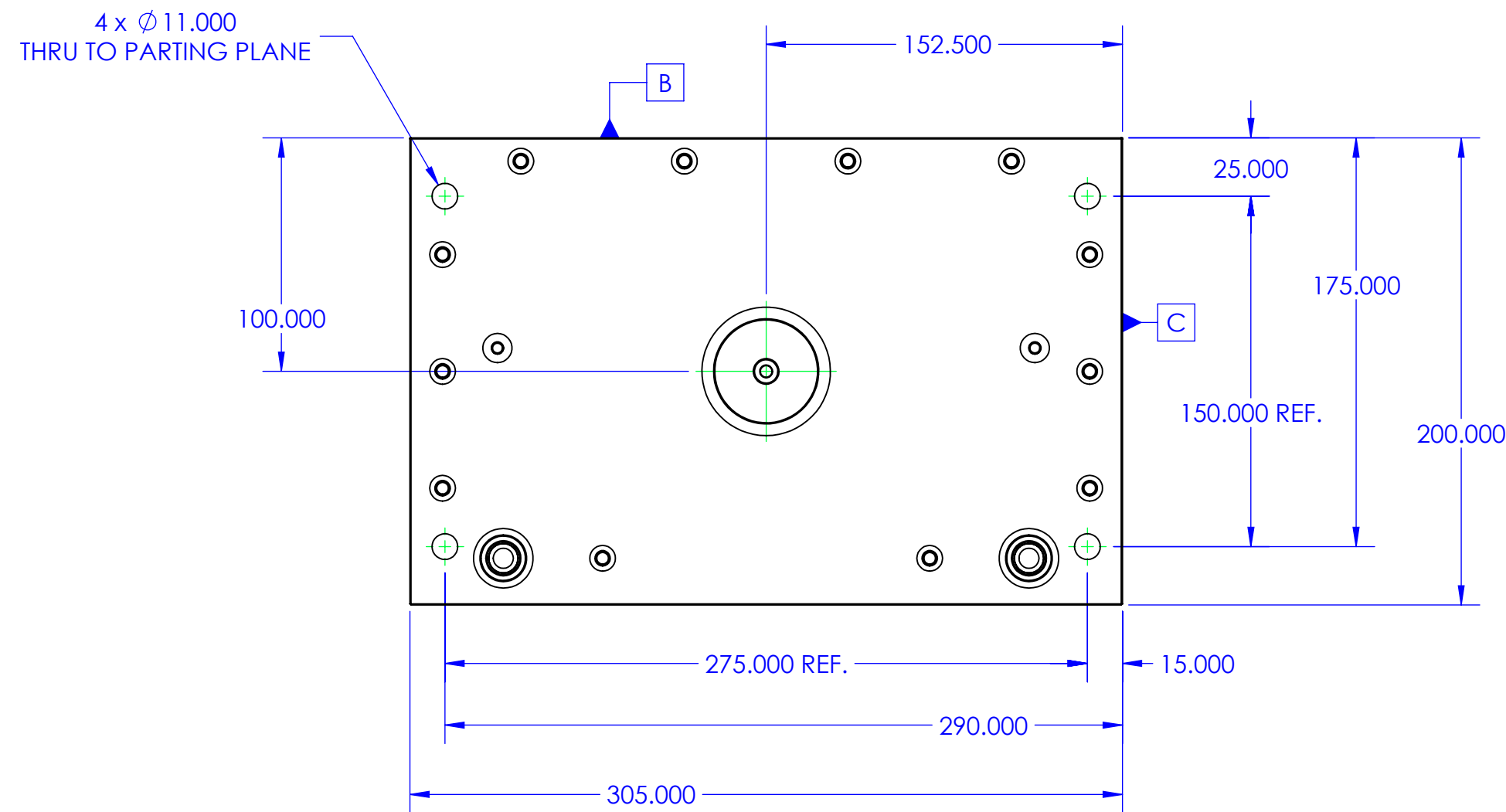
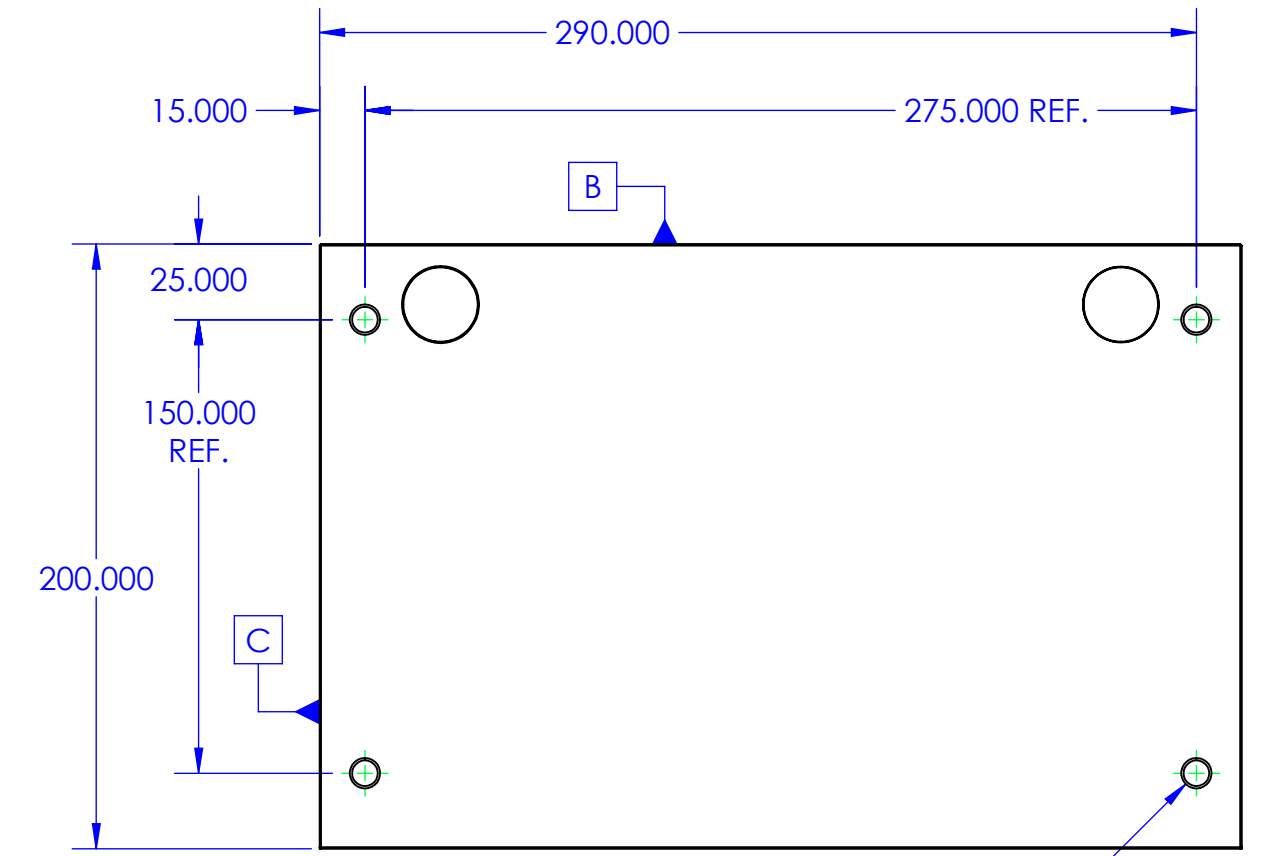
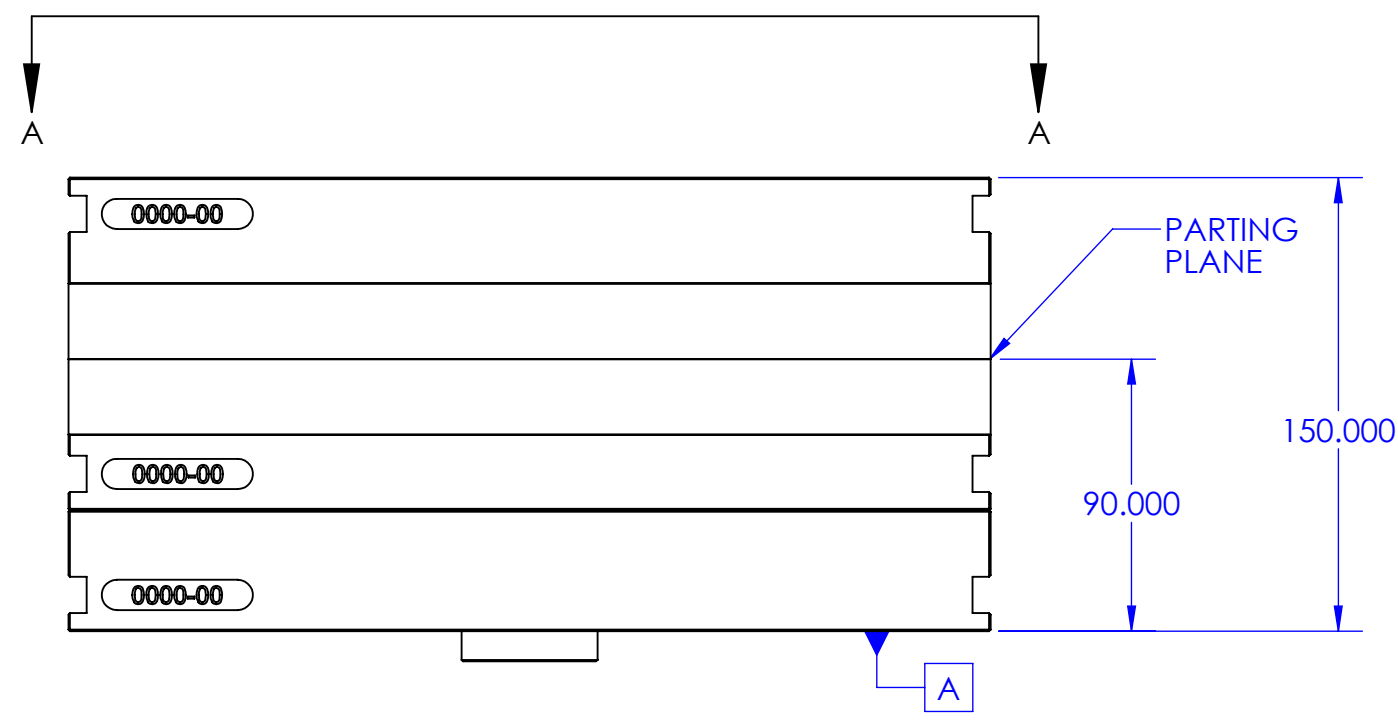
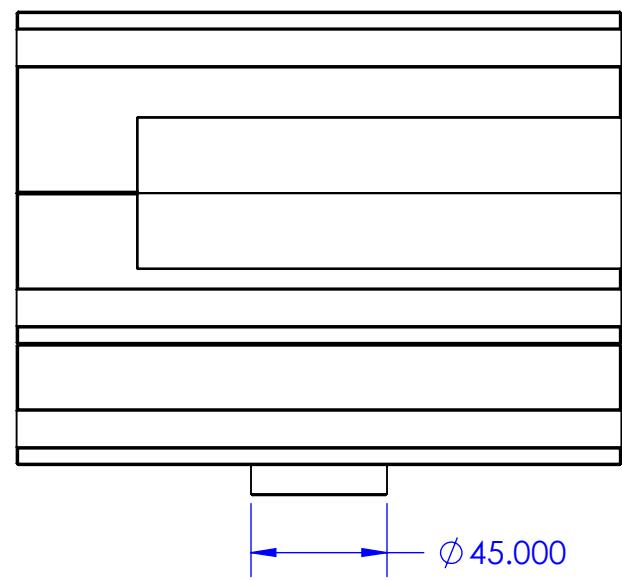


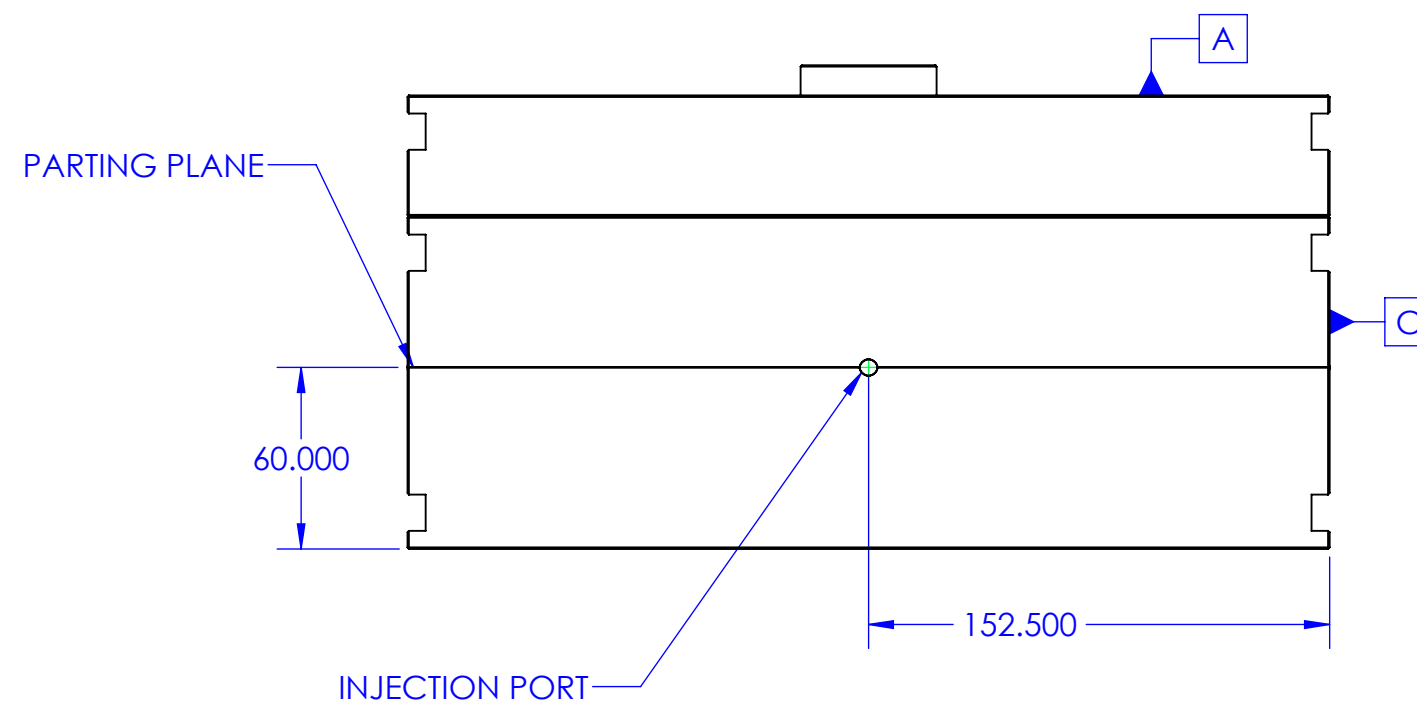
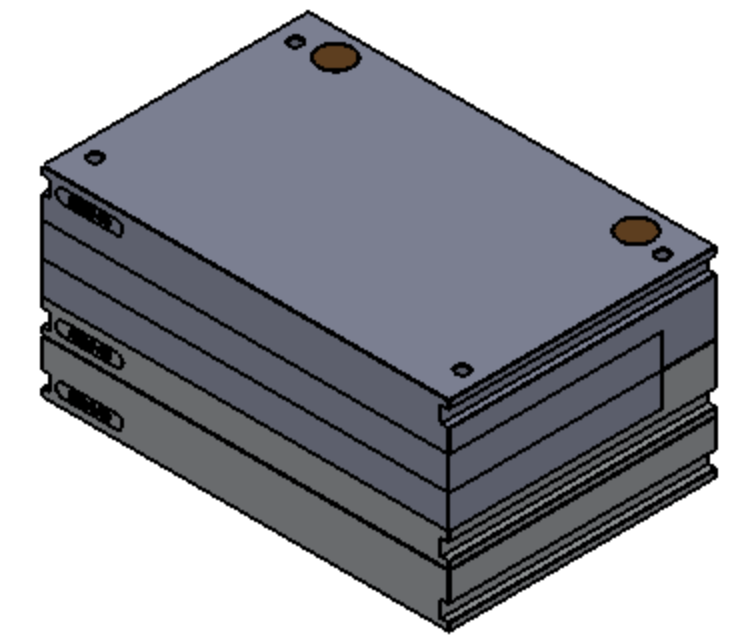
REV	DESCRIPTION OF CHANGES	DATE	APPROVED
01	INITIAL RELEASE	05/11/2015	CEB



4 x M10 - 6H
 ∇ 20.000 THREAD DEPTH

VIEW A-A

NOTES (UNLESS OTHERWISE SPECIFIED):
 1 - ALL DIMENSIONS FOR REFERENCE ONLY



Proprietary Notice: This drawing and the information contained herein is the property of Moldman Systems and may not be reproduced or used for other purposes than authorized by Moldman Systems.

UNLESS OTHERWISE SPECIFIED DIMENSIONS ARE IN MM. TOLERANCES ARE:		CAD GENERATED DRAWING : DO NOT MANUALLY UPDATE		MOLDMAN SYSTEMS 4649 Aircenter Dr. Ste 101, Reno, NV 89521 (775) 332-1600 fax: (775) 332-1601	
DECIMALS: .X : +/- 0.7 .XX : +/- 0.25 .XXX : +/- 0.127	ANGLES: X : +/- 0.5° X.X : +/- 0.1°	DO NOT SCALE DRAWING		TITLE 305x200 6200 INJECTION MOLDSET PART NUMBER	
MATERIAL: SEE NOTES	APPROVALS	DATE	SIZE C	DRAWING SCALE: n/a	REV. 01
FINISH: SEE NOTES	CREATED CEB 5/11/2015	CHECKED / /	SHEET 1 OF 1		