

M-4-1.5

Fluid Research's M series progressive cavity pumps provide the highest precision and reliability in delivering small quantities. These pumps are ideal for use in food and pharmaceutical applications as well as industrial, single component material in automation and robotic delivery systems.

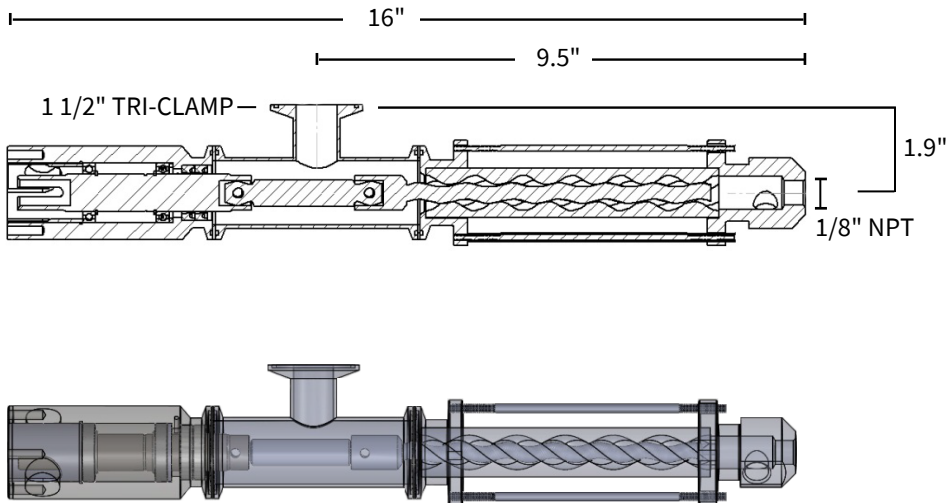
This pump delivers precise quantities of material accurately, consistently, and reliably. It is particularly suited for low to high viscosity materials, abrasive materials, and chemically aggressive materials. All delivered with very low shear due to the progressing cavity rotor-stator design and function.

APPLICATIONS

- Dots, beads, lines, filling, metering, encapsulating, and gasketing
- Used for epoxies, silicones, urethanes, sealants, and adhesives
- Slurries, pastes, and syrups in food and pharmaceutical industries
- Low to high viscosity materials
- Abrasive and chemically aggressive materials



MADE IN THE USA



SPECIFICATIONS*

Displacement Volume:	1.6 ml per revolution
Maximum Flow Rate:	320 ml per min @ 200 rpm
Minimum Flow Rate:	16 ml per min @ 10 rpm
Minimum Dispense Quantity:	0.4 ml
Operation Temperature:	32° to 180° F
Material Temperature:	32° to 180° F
Maximum Dispense Pressure:	360 psi
Supply (Input) Pressure:	0 to 150 psi
Retained Volume:	100 ml
Inlet:	1 1/2" tri-clamp
Outlet:	9/16 - 18 THD
Weight:	5.1 lbs

* Specifications and information is subject to change without notice.

MADE IN THE USA