

The S-2000 is a Console format of our highly customizable S series meter and mix dispensers. This system's Industrial OS based controls are configurable for a wide variety of applications and upgradeable to accommodate future requirements. It monitors dispense, flow rates and multiple process variables and can also manage a virtually unlimited number of programmed shots. The S-2000 includes FRC's proprietary software programming controls with a touch-screen user interface. This system will handle multi-component materials up to 4 part formulations.

The S-2000 is customizable to meet any meter mix dispense requirement and easily integrated to production automation lines.



Specifications

Mix Ratios: 1:1 to 20:1

Viscosity Range: 1 to 2,000,000 cps

Flow rate: 0.026cc to 98cc per second

Shot size: 0.25cc to 10,000cc

Accuracy: +/- <1%

Shop Air: 100 PSI <1 CFM

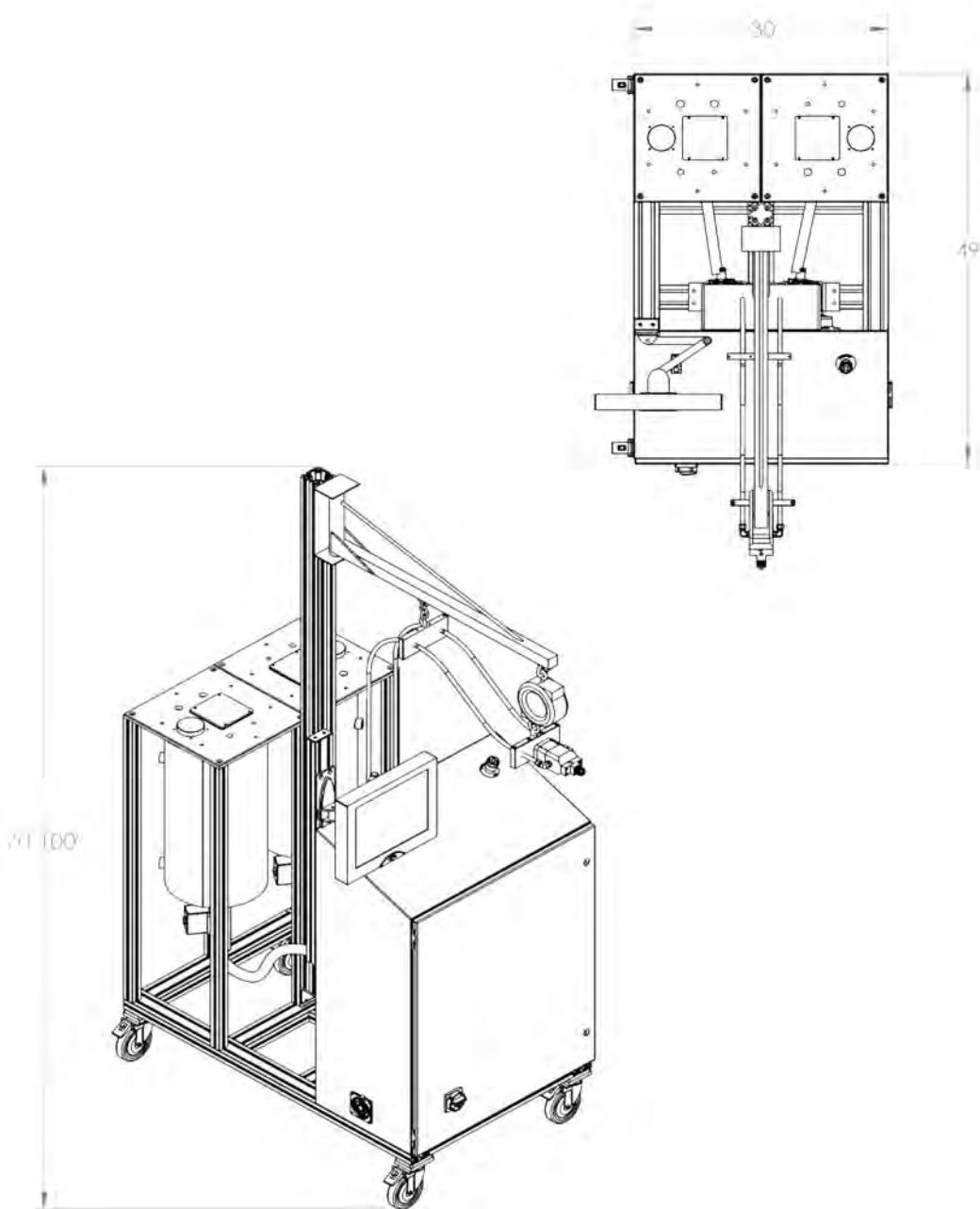
Power: 100 – 240 VAC Single Phase
208 - 240 VAC Single Phase
208 VAC 3 Phase
50/60 Hz

Dimensions: 56" x 32" x 85"

Weight: 350 lbs.

Features

- Computer controlled
- Slope Console Form factor
- Progressing cavity Pumps
- 1 to 30 Gallon Stainless tanks
- Digital Control
- Automation interface
- Unlimited Stored Programs
- AC motors and Drives
- Password Protection
- Static Mixing
- Stat-a-Seal Dispense head
- Low level Alarm
- Bar Code reader
- Ethernet Compatible
- Dispense up to 4 part materials
- Customizable MMU
- Desiccant Dryer
- Vacuum Degassing
- Heating
- Compatible w/MMU/ Never Empty, Pail or Drum Rams



* Specifications and information as noted is subject to change without notice.