

T-2000

The T-2000 is a flexible, panel PC controlled, cart mounted meter mix system featuring Fluid Research's proprietary positive displacement pump technology ideal for most dispensing requirements.

The T-2000 includes Fluid Research's proprietary software, including a full color 10 inch, touchscreen interface offering unlimited flexibility in storing and recalling shot volumes, flow rates and ratio. Interdependently driven pumps offer variable ratios, variable flow rates and "tool-less" calibration.

The T-2000 is built as a stand-alone or automation integrated dispenser. This is our most popular form factor for nearly all epoxy, silicone and urethane 2-part materials.



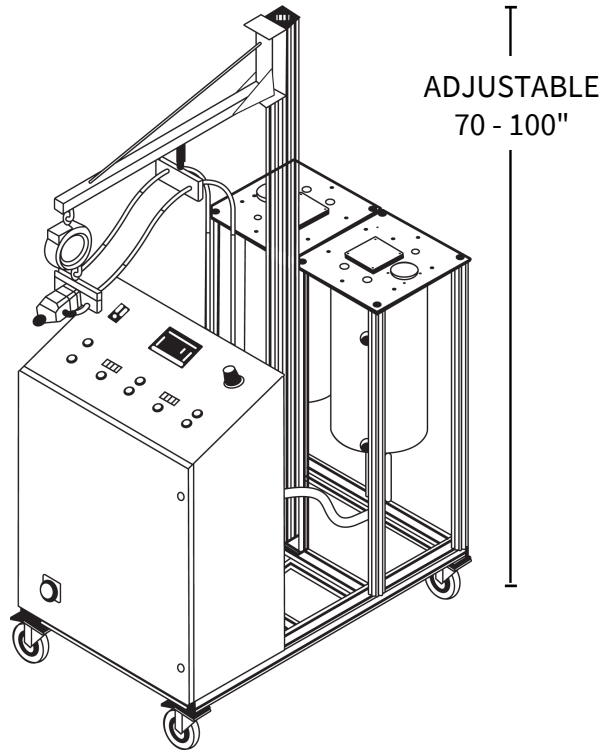
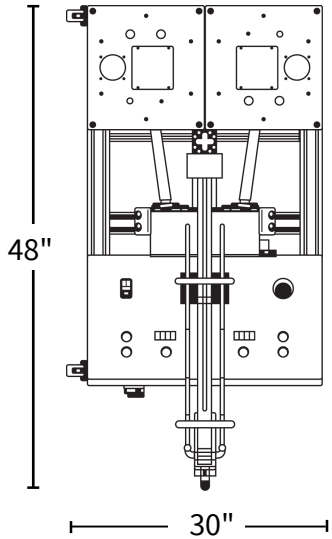
FEATURES

- Cart mount form factor
- 5 gallon stainless steel tanks
- Digital control automation interface
- Unlimited stored programs
- Timed and continuous shots
- AC motors and drives
- Password protection
- Static mixing
- Stat-a-Seal dispense head

OPTIONS AVAILABLE

- 10 - 15 gallon stainless steel tanks
- Auto fill
- Material recirculation
- Heating
- Material agitation
- Material degassing
- Desiccant dryer

MADE IN THE USA



FEATURES

- Cart mount form factor
- 5 gallon stainless steel tanks
- Digital control automation interface
- Unlimited stored programs
- Timed and continuous shots
- AC motors and drives
- Password protection
- Static mixing
- Stat-a-Seal dispense head

SPECIFICATIONS*

Mix Ratios:	1:1 to 20:1
Viscosity Range:	1 to 1,000,000 cps
Flow Rate:	0.5cc to 75cc per second
Shot Size:	0.5cc and up
Accuracy:	+/- 3%
Shop Air:	100 PSI <1 CFM
Power:	100 - 240 VAC Single Phase 208 - 240 VAC Single Phase 208 VAC 3 Phase 50/60 Hz
Dimensions:	24" x 34" x 30"
Weight:	350 lbs

* Specifications and information is subject to change without notice.



MADE IN THE USA