



15 Corporate Drive, Suite E - Wayne - NJ 07470
Tel: (973) 646-5044 E-mail: info@fisnar.com
www.fisnar.com

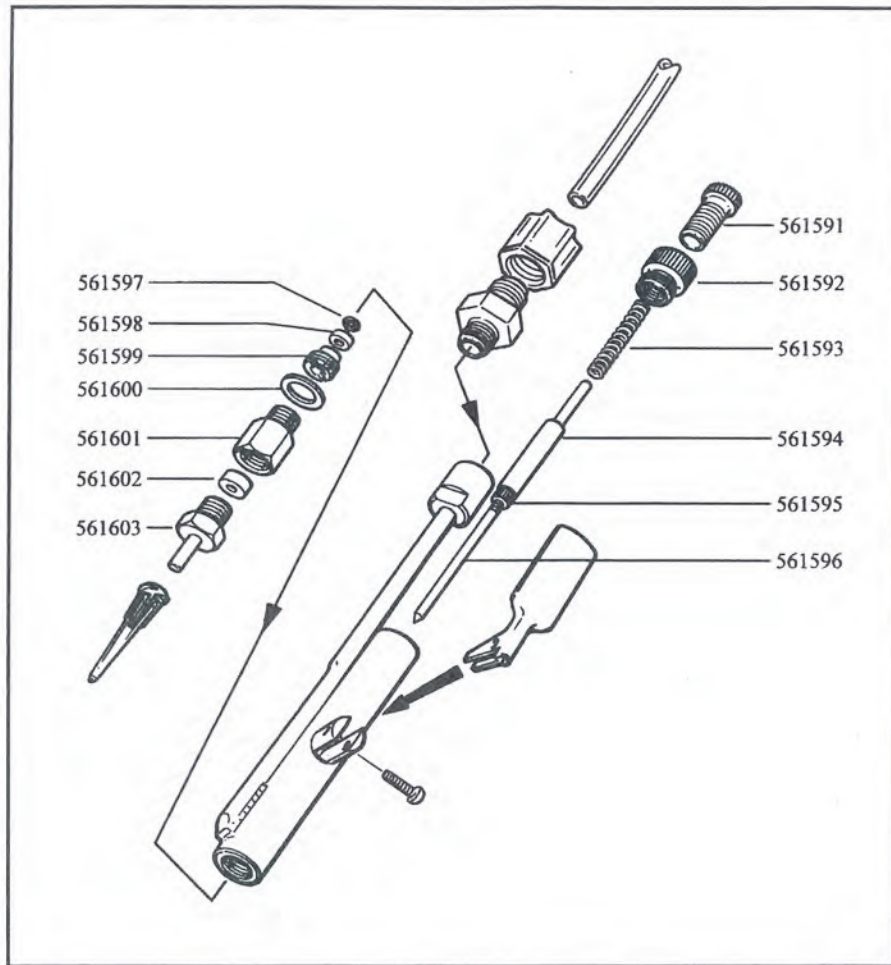
JC1015 - Dispensing Pen



- **The lightweight design makes manual dispensing easy.**
- **Instant Finger control shutoff.**
- **Applications such as dots, beads, gaskets and potting made easy.**
- **For low to medium viscosity materials such as oils, paints, solder mask, liquid fluxes and many others.**



15 Corporate Drive, Suite E - Wayne - NJ 07470
 Tel: (973) 646-5044 E-mail: info@fisnar.com
 www.fisnar.com



JC1015 DISPENSING PEN

(REPLACEMENT PARTS)

PART #	DESCRIPTION	PART #	DESCRIPTION
561591	SCREW	561598	PACKING WASHER
561592	KNURLED FITTING	561599	MACHINED STOP
561593	SPRING	561600	FLAT WASHER
561594	PISTON	561601	MACHINED REDUCER
561595	LOCKING NUT	561602	SEAT
561596	NEEDLE	561603	TIP HOLDER
561597	PACKING O-RING		