

F5000N.2 3-Axis Inline Gantry Robot

The F5000N.2 series robots are compact and cost-effective gantry style robots with all moving axes above the work piece. The Unitop design is suitable for dispense applications requiring a configuration that provides open access under the robot.

These robots are ideal for conveyor-fed automation lines or installed into automated work cells, operating as a slave robot. They are also advantageous when component weight or size prevent a conventional benchtop robot from being used.

Programming & control can be carried out via teach pendant, RS232 or proprietary PC software (sold separately).



Features

- Compact and lightweight gantry-style design
- Work area up to 300 x 300mm
- Axis repeatability 0.02mm
- Durable linear belt drive system for industrial applications
- USB port for data transfer
- RS232 port for remote operation
- Modular Connectivity Interface

Benefits

- Separate control box reduces robot foot print
- Separate control box allows robot to be used in vacuum chamber and glovebox work environments
- Open access under robot for dispensing onto oversize and heavy components
- Can be used as part of a conveyor-fed automation solution for increased throughput
- Proprietary offline robot PC software allows for basic programming, editing of robot programs plus a CAD import utility tool

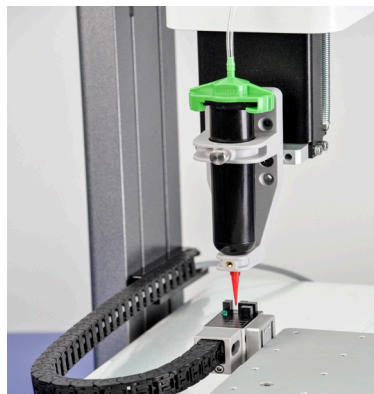
Optional Productivity Accessories

Mechanical Tip Alignment



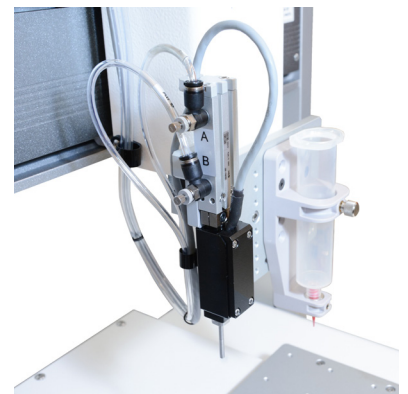
Item Number TA360U-KIT

Automatic Tip Alignment



Item Number F4000AKIT-TA3

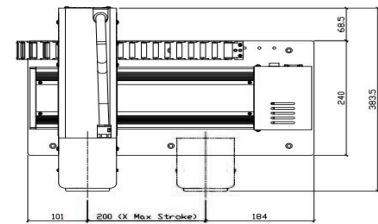
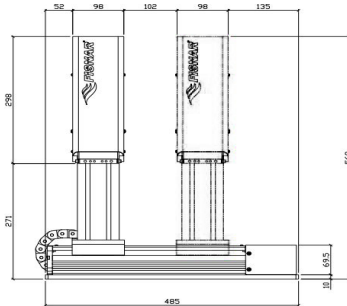
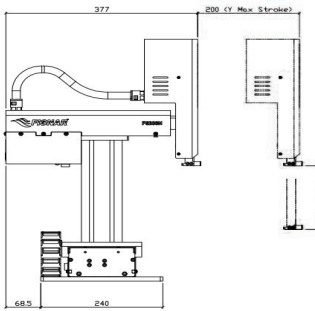
Height Sensor



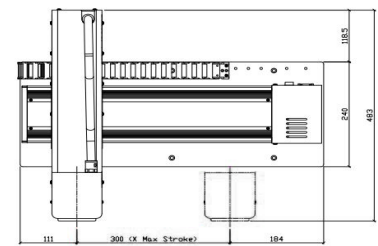
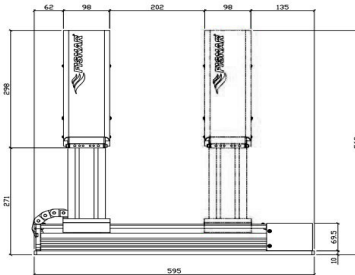
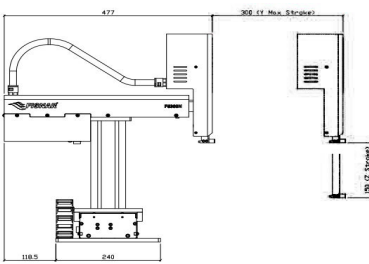
Item Number F4000AKIT-HDS

F5000N.2 3-Axis Inline Gantry Robot

F5200N.2



F5300N.2



Specifications

Item Number	F5200N.2	F5300N.2
Working Area (X/Y/Z)	200 x 200 x 150mm	300 x 300 x 150mm
Max Speed (X&Y/Z)	500 / 320mm / secs	500 / 320mm / secs
Tool Load (Z-Axis)	2kg (4lbs)	2kg (4lbs)
Repeatability	+/- 0.02mm / axis	+/- 0.02mm / axis
Resolution	0.001mm / axis	0.001mm / axis
Motion Control	PTP & CP	PTP & CP
Drive System	Micro stepping motors	Micro stepping motors
Data Memory	1-100 programs 50,000 points / program	1-100 programs 50,000 points / program
I/O Signals	8 inputs / 8 outputs	8 inputs / 8 outputs
External Interface	USB / RS232	USB / RS232
Power Supply	Auto-switching AC 100 - 240 VAC, 320 watts	Auto-switching AC 100 - 240 VAC, 320 watts
Dimensions (W/D/H)	485 x 383.5 x 569mm (19 x 15 x 22.5")	595 x 483 x 569mm (23.5 x 19 x 22.5")
Weight	25kg (55lb)	28kg (62lb)
Approvals	CE, RoHS, WEEE	CE, RoHS, WEEE

Contact Us

USA
info@fisnar.com
 1 (262) 253-8600

Europe
infoeurope@fisnar.com
 +44 (0) 1355 577222

Asia
info@fisnar.com.hk
 +852 2389-2827

India
info@fisnar.in
 +91-11-4556-6223-5