

# F1300N.2 Rotary Dispensing Table

The F1300N.2 rotary table provides a simple and efficient method of dispensing a circular pattern on areas that can sometimes be difficult to access. The Z-axis tilt is easily and quickly adjusted for controlled rotary dispensing at a fixed angle, onto a vertical wall within a cylindrical part or on an outside wall or top surface.

Alternatively, the machine can be configured into an index mode, whereby multiple parts can be positioned equally dispensed apart from each other in a single circular pattern. When initiated, the machine will dispense onto a component in a fixed position, and when complete will rotate at a fixed indexing angle in order to dispense onto the next part.

Suitable for dispensing adhesives, silicones, greases, and lubricants, the F1300N.2 is versatile in controlling dispensing from barrels, cartridges, dispense valves or spray valves.

The fully programmable intuitive touchscreen user display allows dispense parameters (i.e. dispense angle, pre and post dispense time and rotation speed) and machine settings to be quickly changed and simultaneously viewed on the home screen.



## Features

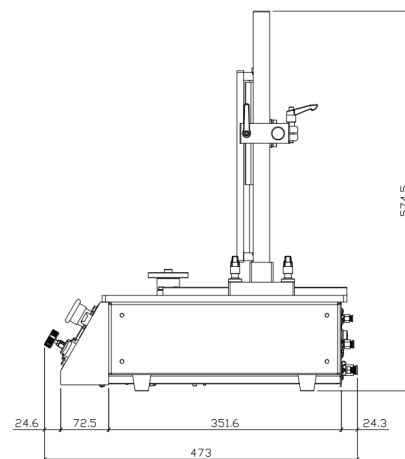
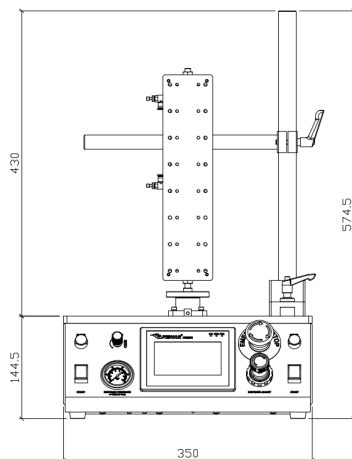
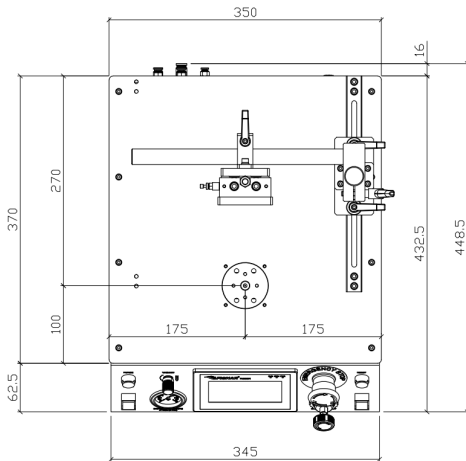
- Multilingual touch screen LCD display for easy setup and operation
- 0-100 psi fluid pressure regulator & gauge
- 9 programmable memory slots
- 3 operation modes (Standard, Pulse & Index)
- 6 channel I/O circuit
- Password protected operator lockout
- Dispense cycle counter & limit
- Auto Cycle function
- Worldwide compatible power supply

## Benefits

- Precision regulator and gauge for controlling dispense pressure inside syringe barrels or cartridges. Alternatively used for actuating air pressure signal to a dispense valve
- Dispense signal can be sent to an external dispense controller if being used instead
- Static Mode for fixing Z-Axis cylinder drive movement in fluid jetting applications
- Easy integration of safety relay and light curtain/door switch when conforming to European CE safety regulations\*
- Fully programmable for accurate dispensing

*\*Safety relay and light curtain/door switch purchased separately.*

# F1300N.2 Rotary Dispensing Table



## Specifications

Item Number	F1300N.2
Cycle Initiation	Manual or Automatic
Z-Axis Cylinder Travel	100 mm (4")
Rotation Speed	0-60rpm
Air Input	70 - 100 psi (5 - 7 bar)
Air Output	0 - 100 psi (0.07 - 7 bar)
Dimensions (WxDxH)	350 x 482 x 575mm (13.8 x 19 x 22.6")
Work Load	2 kg (4.4 lb)
Tool Load	10 kg (22.0 lb)
Working Area (Diameter)	300 mm (12")
Weight	15.5 kg (34.2lb)

## Contact Us

USA  
[info@fisnar.com](mailto:info@fisnar.com)  
 1 (262) 253-8600

Europe  
[infoeurope@fisnar.com](mailto:infoeurope@fisnar.com)  
 +44 (0) 1355 577222

Asia  
[info@fisnar.com.hk](mailto:info@fisnar.com.hk)  
 +852 2389-2827

India  
[info@fisnar.in](mailto:info@fisnar.in)  
 +91-11-4556-6223-5